

ROTACOD

Absolute encoder

Series

AM58K



- Profibus and CANopen encoder
- Stainless steel housing suitable for food industry
- IP67 washdown protection
- Bus cover with M12 connectors
- Roundloop function
- Position & velocity output (CANopen)



AM58K

ENVIRONMENTAL SPECIFICATIONS

Shock:	100 g, 6 ms
Vibrations:	10 g, 5-2000 Hz
Protection:	IP67 (with assembled connection cap)
Operating temperature range:	-25°C +85°C (-13°F +185°F)
Storage temperature range:	-40°C +100°C (-40°F +212°F) (98% R.H.without condensation)

MECHANICAL SPECIFICATIONS

Dimensions:	see drawing
Shaft diameter:	Ø 6, 8, 9.52, 10, 12 mm
Shaft loading (axial, radial):	100 N max.
Shaft rotational speed:	6000 rpm max.
Bearings life:	400x10 ⁶ rev. min. (10 ⁹ rev. min. with shaft loading of 20 N max.)
Electrical connection:	connection cap with M12 connectors
Weight:	~ 800 g (28,2 oz)

ELECTRICAL SPECIFICATIONS

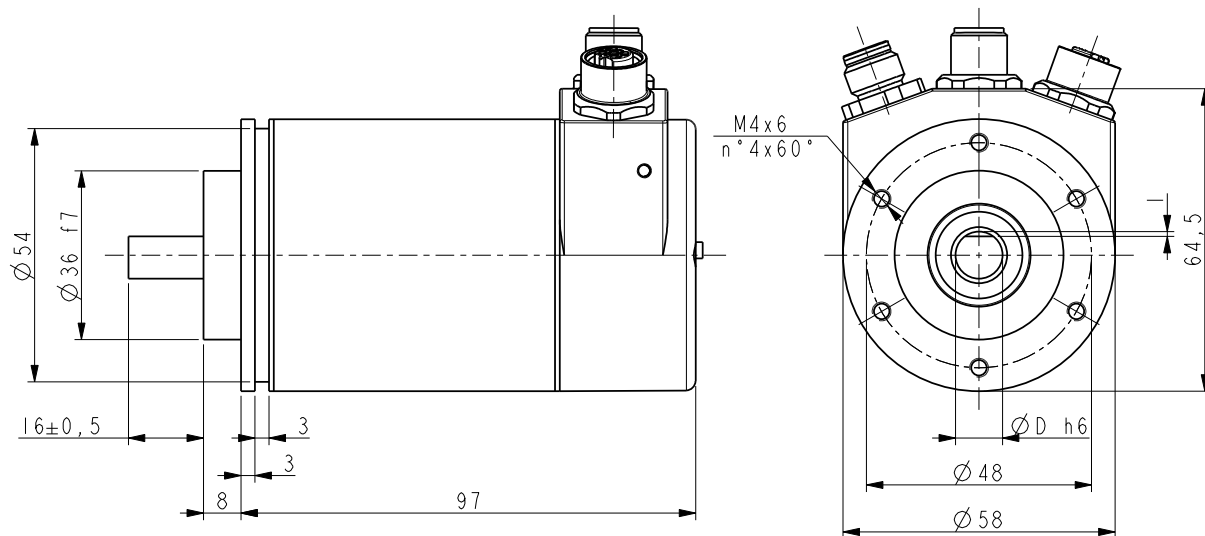
Resolution:	13 + 12 bit (8192 cpr x 4096 turns)
Accuracy:	± 0,04°
Counting frequency:	150 kHz max.
Power supply:	+10V +30V
Power consumption:	~ 2,2 W
Interface:	Profibus-DP V0 CANopen DS301, DS406
Programmable parameters:	<ul style="list-style-type: none"> • counting direction • resolution up to 8192 counts/rev. and 4096 rev. <ul style="list-style-type: none"> • preset value • offset value • position/velocity output other parameters see manual
Baudrate:	CANopen: 1 MHz max. (programmable by Dip-switches) Profibus: max 12 Mbit/sec.
Device address:	programmable by Dip-switches
Bus connection:	galvanically separated by opto-couplers
Protection:	against inversion of polarity and short-circuit
EMC:	electro-magnetic immunity, according to: EN 61000-4-2 EN 61000-4-4
Optoelectronic life:	100.000 h min.

MATERIALS

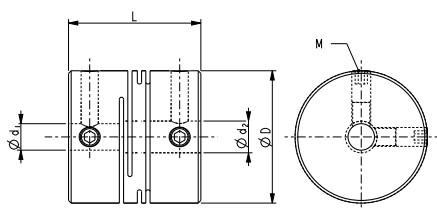
Flange:	AISI 410 stainless steel
Housing:	AISI 410 stainless steel
Bearings:	ABEC 5
Shaft:	stainless steel, non magnetic, AISI 303

ACCESSORIES

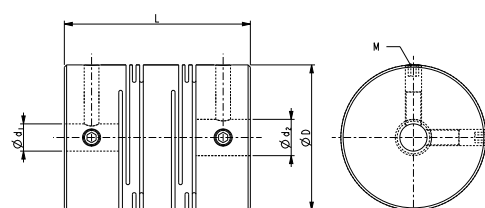
MWSS, MSTs:	stainless steel flexible couplings
EC-M12MP-LK-PB-x:	PB M12 plug cordset x m cable
EC-M12FP-LK-PB-x:	PB M12 conn. cordset x m cable
EC-M12PP-LK-PBS-x:	PB M12 cordset power supply x m cable
EC-M12MC-LK-CB-x:	CB M12 plug cordset x m cable
EC-M12FC-LK-CB-x:	CB M12 conn. cordset x m cable



AM58K



MWSS



MST5

Order code

AM58K	XX/XXXX Ⓐ	XX Ⓑ	-	XX Ⓒ	/Sxxx Ⓓ
-------	--------------	---------	---	---------	------------

<p>Ⓐ RESOLUTION 13/4096 = 8192 cpr x 4096 turns</p>	<p>Ⓑ SHAFT DIAMETER PB = Profibus DP CB= CANopen</p>	<p>Ⓒ SHAFT DIAMETER 6 = 6 mm 8 = 8 mm P9 = 9.52 mm, 3/8" 10 = 10 mm 12 = 12 mm</p>	<p>Ⓓ CUSTOM VERSION</p>
---	--	--	-------------------------